

### Single-axis DSD / DSM

Type	Output current continuous (A)	Output current peak (A)	Mechanical power (W)
<b>230V single phase 50/60 Hz</b>			
DSD13M02 / DSM13M02	2	4	375
DSD13M04 / DSM13M04	4	8	750
DSD13M07 / DSM13M07	7.5	15	1500
<b>230V three phase 50/60 Hz</b>			
DSD13004 / DSM13004	4	8	750
DSD13007 / DSM13007	7.5	15	1500
DSD13015 / DSM13015	15	30	3000
DSD13030 / DSM13030	30	60	6000
DSD13060 / DSM13060	60	100	12000
<b>400V three phase 50/60 Hz</b>			
DSD16002 / DSM16002	2	4	750
DSD16004 / DSM16004	4	8	1500
DSD16008 / DSM16008	8	16	3000
DSD16016 / DSM16016	16	32	6000
DSD16032 / DSM16032	32	64	12000

## DIGIVEX characteristics



## NX - DIGIVEX & EX - DIGIVEX ASSOCIATIONS

For all kind of servo applications, DIGIVEX servo drives offer the perfect control of NX or EX brushless servo motors and allow servo system to reach optimum performances. (For NX and EX description, please refer to page 14 and 20).



### NX and EX Associations - DIGIVEX / 230V

Motor	M <sub>0</sub> (N.m)	I <sub>0</sub> (A)	M <sub>4</sub> (N.m)	I <sub>4</sub> (A)	N <sub>MAX</sub> (tr/min)	M <sub>MAX</sub> (N.m)	I <sub>MAX</sub> (A)	DIGIVEX rating
<b>NX SERVO MOTORS</b>								
NX10EAP	0.45	1.4	0.33	1.0	6000	1.1	3.5	2/4
NX20EAV	0.45	1.4	0.37	1.2	5000	0.9	2.8	2/4
NX20EAS	0.45	1.9	0.29	1.3	7500	0.9	4	2/4
NX210EAT	1	1.9	0.80	1.5	4000	2.1	4.0	2/4
NX210EAP	1	2.8	0.61	1.8	6000	2.4	7.0	4/8
NX310EAP	2	2.0	1.9	1.9	2300	3.9	4.0	2/4
NX310EAK	2	3.5	1.7	2.9	4000	4.3	8.0	4/8
NX420EAP	4	4.0	3.8	3.8	2300	7.7	8.0	4/8
NX420EAJ	4	6.9	3.4	5.8	4000	8.2	15.0	7.5/15
NX430EAJ	5.5	7.4	4.7	6.3	3200	10.7	15.0	7.5/15
NX430EAF	5.5	9.4	4.3	7.4	4000	15.0	28.3	15/30
NX620EAR	8	7.5	7.4	7.0	2200	15.9	15.0	7.5/15
NX620EAJ	8	13.9	6.1	10.8	4000	16.9	30.0	15/30
NX630EAR	12	8.0	11.5	7.8	1450	22.6	15.0	7.5/15
NX630EAK	12	15.0	10.2	12.9	2800	23.9	30.0	15/30
NX630EAG	12	21.1	8.5	15.1	4000	28.8	53.1	30/60
NX820EAL	16	24.8	13.2	20.9	3600	35.3	60.0	30/60
NX840EAJ	28	26.7	22.9	22.2	2200	59.7	60.0	30/60
NX860EAD	41	46.7	27.4	32.1	2600	84.8	100.0	60/100
NX860VAG <sup>®</sup>	64	55.4	54.4	47.1	2000	107	100.0	60/100

### EX SERVO MOTORS FOR EXPLOSIVE ATMOSPHERE

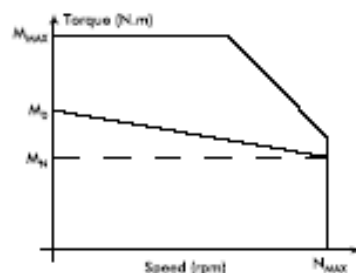
EX310EAP	1.7	1.7	1.7	1.7	2300	3.9	4	2/4
EX310EAK	1.7	3.1	1.6	2.8	4000	5.5	8	4/8
EX420EAP <sup>®</sup>	3.5	3.5	3.2	3.2	2300	7.8	8	4/8
EX420EAP <sup>®</sup>	3.5	6.0	2.7	4.7	4000	8.3	15	7.5/15
EX430EAP <sup>®</sup>	4.8	6.5	3.7	5.1	3200	10.8	15	7.5/15
EX430EAF <sup>®</sup>	4.8	8.2	3.3	5.7	4000	11.6	20.5	15/30
EX620EAD	7	7.4	5.5	6.3	2500	13.9	15	7.5/15
EX630EAI	10.4	14.2	7.2	10.3	3000	22.5	30	15/30
EX820EAP <sup>®</sup>	14	13.5	11.5	11.3	2200	29.5	30	15/30
EX820EAL <sup>®</sup>	14	21.7	8.6	13.8	3600	32.5	54	30/60
EX840EAP <sup>®</sup>	24.5	23.4	15.2	15	2200	58.4	59	30/60
EX860EAD <sup>®</sup>	35	39.9	12	14.9	2600	84.5	100	60/100

### NX and EX Associations - DIGIVEX / 400V

Motor	M <sub>0</sub> (N.m)	I <sub>0</sub> (A)	M <sub>4</sub> (N.m)	I <sub>4</sub> (A)	N <sub>MAX</sub> (tr/min)	M <sub>MAX</sub> (N.m)	I <sub>MAX</sub> (A)	DIGIVEX rating
<b>NX SERVO MOTORS</b>								
NX20EAV	0.45	1.4	0.29	1.0	7500	1	3.2	2/4
NX210EAT	1	1.9	0.61	1.2	6000	2.1	4.0	2/4
NX310EAP	2	2.0	1.7	1.7	4000	3.9	4.0	2/4
NX420EAV	4	2.0	3.8	1.9	2000	7.7	4.0	2/4
NX420EAP	4	4.0	3.4	3.4	4000	7.7	8.0	4/8
NX430EAV	5.5	2.0	5.4	2.0	1000	10.6	4.0	2/4
NX430EAP	5.5	4.0	4.8	3.5	3000	10.6	8.0	4/8
NX430EAL	5.5	5.4	4.3	4.2	4000	15	16.0	8/16
NX620EAV	8	4.0	7.5	3.8	2000	16	8.0	4/8
NX620EAR	8	7.5	6.2	5.9	3900	16.9	16.0	8/16
NX620EAJ	8	13.9	5.6	7.2	4500	17.9	32.0	16/32
NX630EAV	12	4.0	11.6	2.7	1350	24.1	8.0	4/8
NX630EAR	12	8.0	10.3	7.0	2700	23.9	16.0	8/16
NX630EAN	12	12.0	8.5	8.6	4000	28.8	30.2	16/32
NX820EAK	16	7.3	14.7	6.8	1900	32.7	16.0	8/16
NX820EAR	16	15.5	12.9	12.8	3900	31.1	32.0	16/32
NX840EAV	28	14.3	23.2	12.0	2100	59.7	32.0	16/32
NX840EAK	28	23.8	18.5	16.3	3500	65.3	59.4	32/64
NX860EAV	41	26.3	27.4	18.1	2600	94.4	64.0	32/64
NX860VAL <sup>®</sup>	64	41.5	50.5	32.8	2600	113	80.0	50/80

### EX SERVO MOTORS FOR EXPLOSIVE ATMOSPHERE

EX310EAP	1.7	1.7	1.5	1.6	4000	3.9	4	2/4
EX420EAV <sup>®</sup>	3.5	1.75	3.2	1.6	2000	7.7	4	2/4
EX420EAP <sup>®</sup>	3.5	3.5	2.7	2.7	4000	7.8	8	4/8
EX430EAP <sup>®</sup>	4.8	3.5	3.9	2.8	3000	10.7	8	4/8
EX430EAL <sup>®</sup>	4.8	4.7	3.3	3.3	4000	11.6	11.7	8/16
EX620EAD	7	7.8	3.1	3.9	4300	14.7	16	8/16
EX630EAV	10.4	7.8	7.4	5.8	2900	21.8	16	8/16
EX630EAN	10.4	10.6	5.2	5.8	4000	26.0	26.5	16/32
EX820EAV <sup>®</sup>	14	7.9	11.5	6.6	2200	27.3	16	8/16
EX820EAP <sup>®</sup>	14	13.5	8.6	8.6	3600	31.1	32	16/32
EX840EAV <sup>®</sup>	24.5	12.5	15.9	8.3	2100	58.4	31.2	16/32
EX840EAK <sup>®</sup>	24.5	20.8	5	4.9	3300	58.4	52	32/64
EX860EAV <sup>®</sup>	35	22.4	12	8.4	2600	84.5	56.1	32/64



230V AND 400V POWER SUPPLY

LARGE CHOICE OF TORQUE AND SPEED

ADAPTED CONNECTION

# SERVO MOTORS

## BRUSHLESS NX

0.45 to 64N.m

The NX series is the new brushless servo motor range. The NX series brushless servo motors are characterized by a 10-pole innovative design for highest quality of motion, improved torque density and a compact and robust design. With a large choice of torque and speed and an economical design, the NX series is the ideal solution for servo application.



**230V AND 400V POWER SUPPLY**

**MOTION QUALITY AND HIGH DYNAMIC CHARACTERISTICS**

**ROBUST AND COMPACT CONSTRUCTION**

**ROTOR WITH CONCENTRATED-FLUX RARE EARTH MAGNETS**

**10-POLE DESIGN**

**RESOLVER AS STANDARD**

**PROTECTION  
NX1 TO NX8 : IP64, OPTION IP65**

**CLASS F INSULATION**

**OUTPUT CABLES ON NX1 AND NX2**

**ADJUSTABLE CONNECTORS ON NX2 TO NX8  
CE, UL RECOGNISED (NX3 TO NX6)**

\* N02V : IP44

### NX Series

Motor	Torque $M_0$ (N.m)	Max Speed (rpm)		Inertia (kg.m <sup>2</sup> .10 <sup>-4</sup> )
		230V	400V	
NX110EAP	0.45	6000	-	1.3
NX205EAV	0.45	5000	7500	2.1
NX205EAS	0.45	7500	-	2.1
NX210EAT	1	4000	6000	3.8
NX210EAP	1	6000	-	3.8
NX310EAP	2	2300	4000	7.9
NX310EAK	2	4000	-	7.9
NX420EAV	4	-	2000	29
NX420EAP	4	2300	4000	29
NX420EAJ	4	4000	-	29
NX430EAJ	5.5	3200	-	42.6
NX430EAF	5.5	4000	-	42.6
NX430EAV	5.5	-	1000	42.6
NX430EAP	5.5	-	3000	42.6
NX430EAL	5.5	-	4000	42.6
NX620EAV	8	-	2000	98
NX620EAR	8	2200	3900	98
NX620EAJ	8	4000	4500	98
NX630EAV	12	-	1350	147
NX630EAR	12	1450	2700	147
NX630EAK	12	2800	-	147
NX630EAG	12	4000	-	147
NX630EAN	12	-	4000	147
NX820EAL	16	3600	-	320
NX820EAX	16	-	1900	320
NX820EAR	16	-	3900	320
NX840EAJ	28	2200	-	620
NX840EAQ	28	-	2100	620
NX840EAK	28	-	3500	620
NX860EAD	41	2600	-	920
NX860EAJ	41	-	2600	920
NX860VAG <sup>®</sup>	64	2000	-	920
NX860VAJ <sup>®</sup>	64	-	2600	920

<sup>®</sup> Variable motor

**CUSTOM SOLUTION  
WINDING, SHAFT, FLANGE...**

**INCREMENTAL, ABSOLUTE, HIPERFACE  
ENCODER OPTION, ...**

**ATEX 94/9/CE FLAMEPROOF ENCLOSURE  
VERSION**

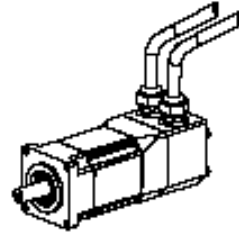
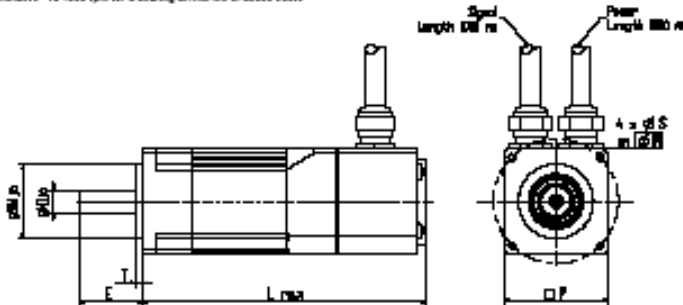
**SERVO MOTOR KIT VERSION**

# SERVO MOTORS

## NX1 and NX2 Dimensions (cable version)

Motor	N (mm)	D (mm)	E (mm)	T (mm)	P (mm)	S (mm)	M (mm)	No brake		With brake		Fr* (daN)	Fo* (daN)
								Weight (kg)	L (mm)	Weight (kg)	L (mm)		
NX110	30	9	25	2.5	42.5	3.2	50	0.8	110	1	140	15	6.9
NX205	40	11	25	2.5	56.5	5.5	63	0.8	102	1.1	136	28	15.5
NX210	40	11	25	2.5	56.5	5.5	63	1.3	122	1.6	156	30	16.7

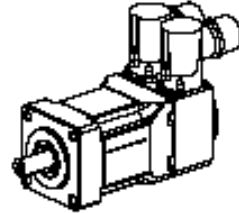
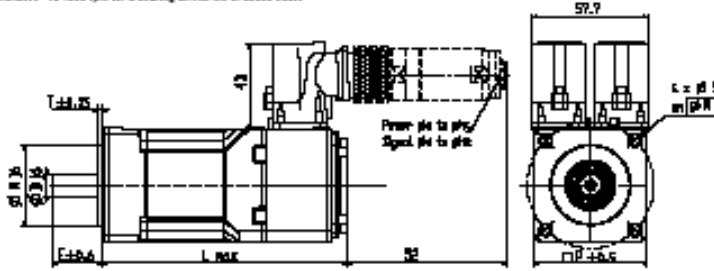
\*Fr and Fo non cumulative - At 1500 rpm for a bearing service life of 20000 hours



## NX2 Dimensions (connector version)

Motor	N (mm)	D (mm)	E (mm)	T (mm)	P (mm)	S (mm)	M (mm)	No brake		With brake		Fr* (daN)	Fo* (daN)
								Weight (kg)	L (mm)	Weight (kg)	L (mm)		
NX205	40	11	25	2.5	56.5	5.5	63	0.8	102	1.1	136	28	15.5
NX210	40	11	25	2.5	56.5	5.5	63	1.3	122	1.6	156	30	16.7

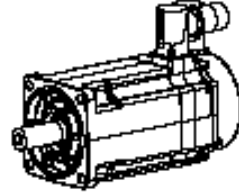
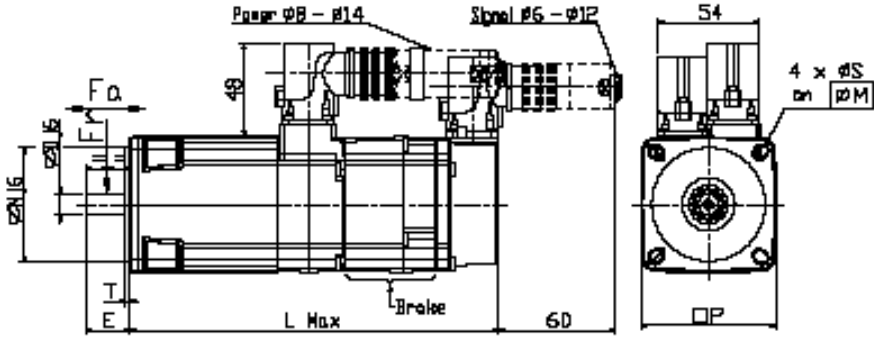
\*Fr and Fo non cumulative - At 1500 rpm for a bearing service life of 20000 hours



## NX3, NX4 and NX6 dimensions

Motor	N (mm)	D (mm)	E (mm)	T (mm)	P (mm)	S (mm)	M (mm)	No brake		With brake		Fr* (daN)	Fo* (daN)
								Weight (kg)	L (mm)	Weight (kg)	L (mm)		
NX310	60	11	23	2.5	71	5.5	75-80	2	146	2.4	194	36	20
NX420	80	19	40	3	91.5	7	100	3.7	175	4.5	226	72	24
NX430	80	19	40	3	91.5	7	100	4.6	200	5.4	251	82	24
NX620	110	24	50	3.5	121	9	130	6.9	181	8	236	82	52
NX630	110	24	50	3.5	121	9	130	8.8	210	10	265	86	54

\*Fr and Fo non cumulative - At 1500 rpm for a bearing service life of 20000 hours

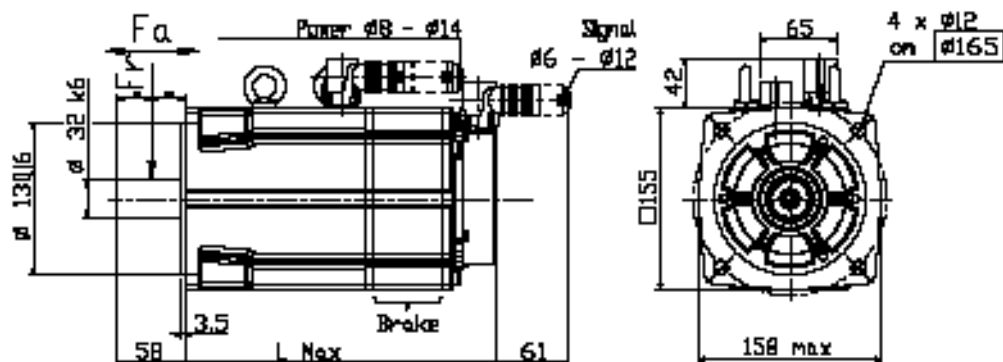
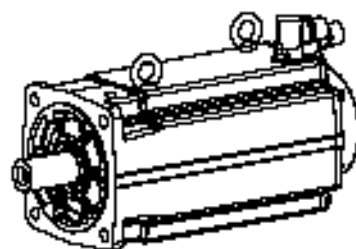


# SERVO MOTORS

## NX8 Dimensions

Motor	No brake		With brake		Fr*	Fo*
	Weight (kg)	L (mm)	Weight (kg)	L (mm)		
NX320	13	200	16.5	266	151	28
NX340	20	260	23.5	326	165	33
NX360	27	320	30.5	386	172	37

\*Fr and Fo are cumulative - At 1500 rpm for a bearing service life of 20000 hours



## NX8 dimensions (Ventilated version)

Motor	No brake		With brake		Fr*	Fo*
	Weight (kg)	L (mm)	Weight (kg)	L (mm)		
NX360V	30.5	424	34	490	172	37

\*Fr and Fo are cumulative - At 1500 rpm for a bearing service life of 20000 hours

